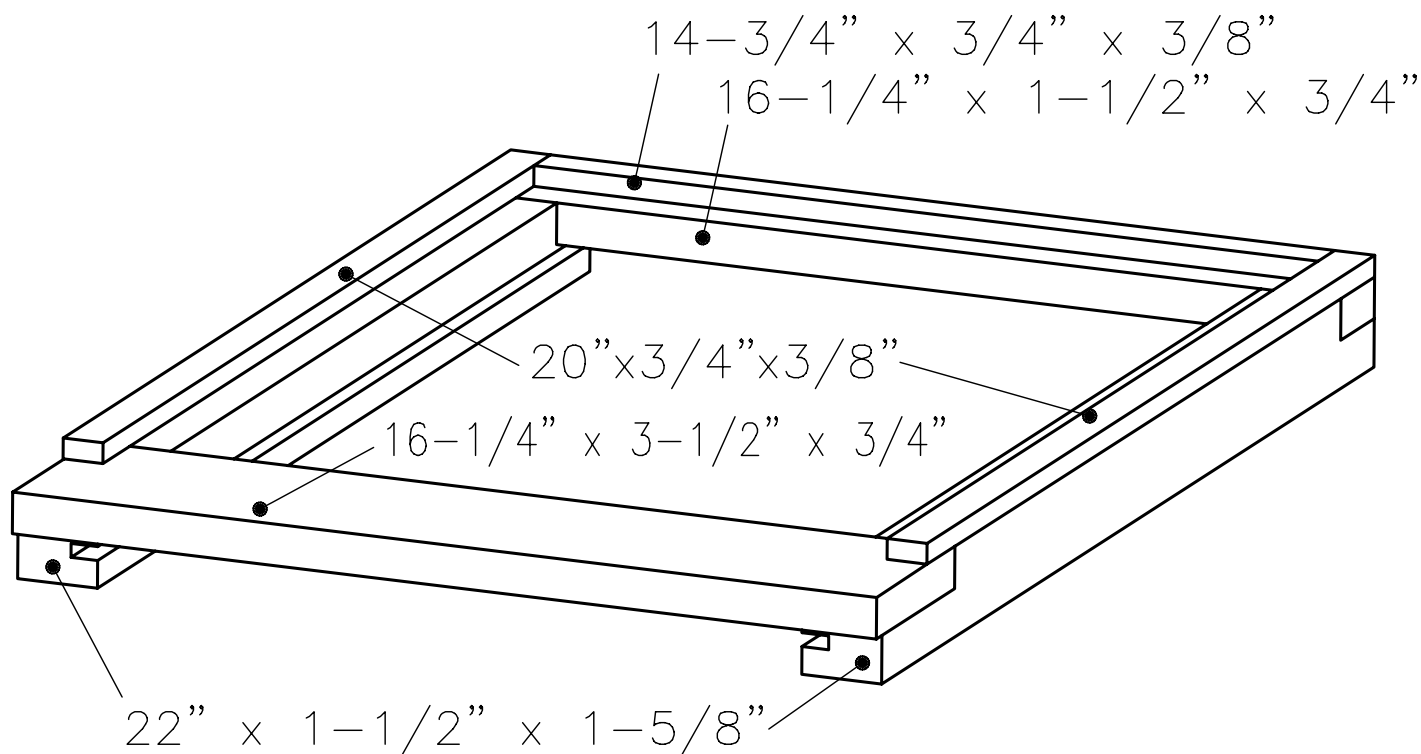


Screened Bottom Board #2



Notes:

1. Use a 16-1/4"x19-1/2" of #8 hardware cloth and attach it before applying the 3/8" strips of wood. The 3/8" strips should be on top of the cloth and help secure it. (Alternately use a 14-3/4"x18-3/4" piece of cloth after the 3/8" strips are assembled, though the screen is not as secure this way.)
2. The side rails can be made by cutting a 2x4 in half.
3. For mite detection simply slide a 22"x14" piece of corrugated plastic in the 1/4" dado.