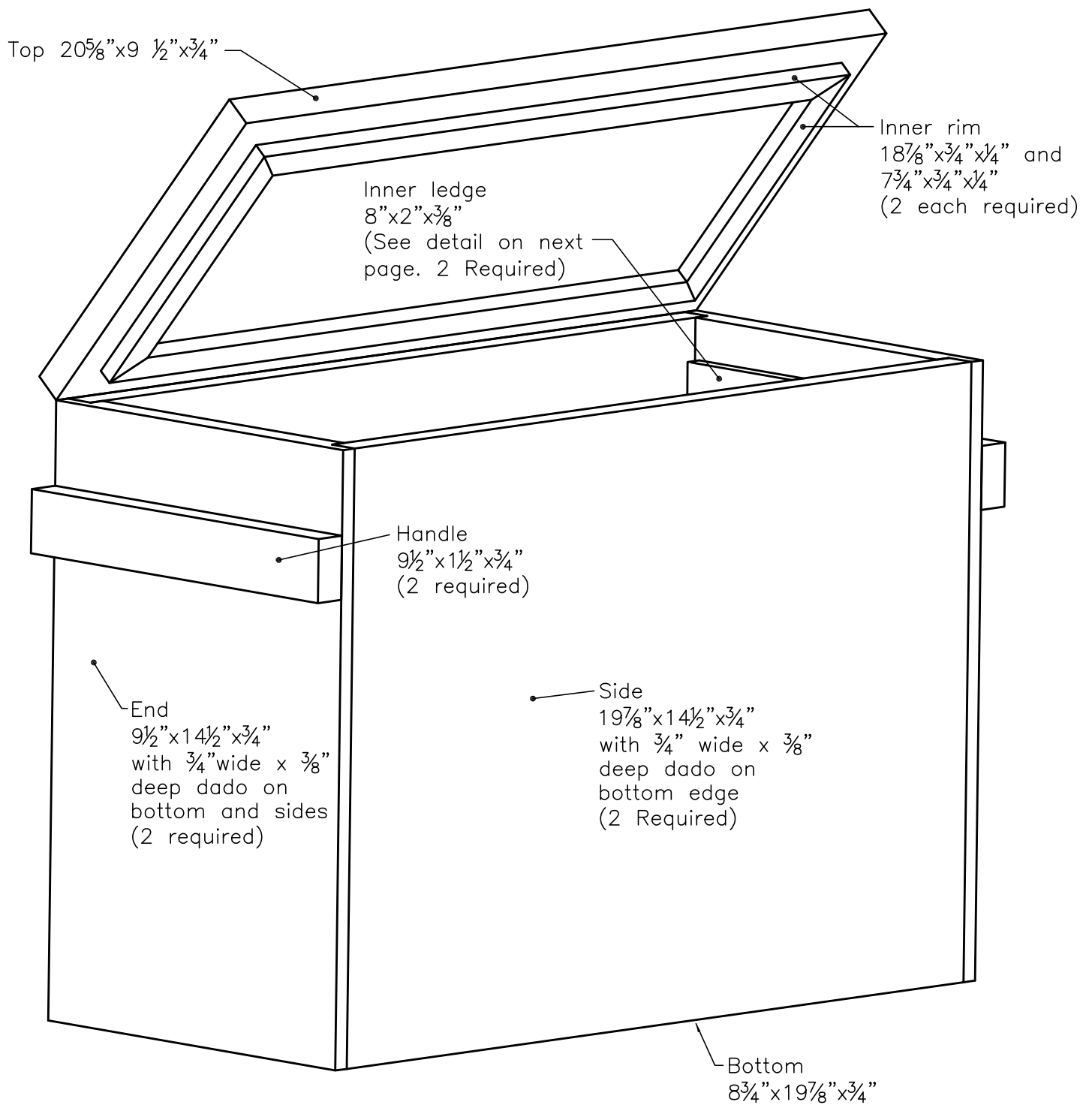


5 Frame Incubator

Simplified Model



5 Frame Incubator

Simplified Model

Notes:

1. The stiff aluminum sheet keeps the frames from being heated directly and combined with the reflector distributes the heat fairly evenly across the bottom of the incubator. Queen cells should not make direct contact with the aluminum.

2. A digital temperature controller such as Ranco ETC111000 or a less expensive disk type thermostat such as that used in poultry incubators can be used. The controller used must be able to switch a minimum of 120 Volts at 1 Amp. For wiring follow the instructions and precautions that come with the controller. The temperature sensor should be located near the top of the incubator.

3. Two hinges should be used to attach the lid.

4. Due to the high humidity present inside the incubator when in use a finish such as polyurethane should be used to protect the wood.

