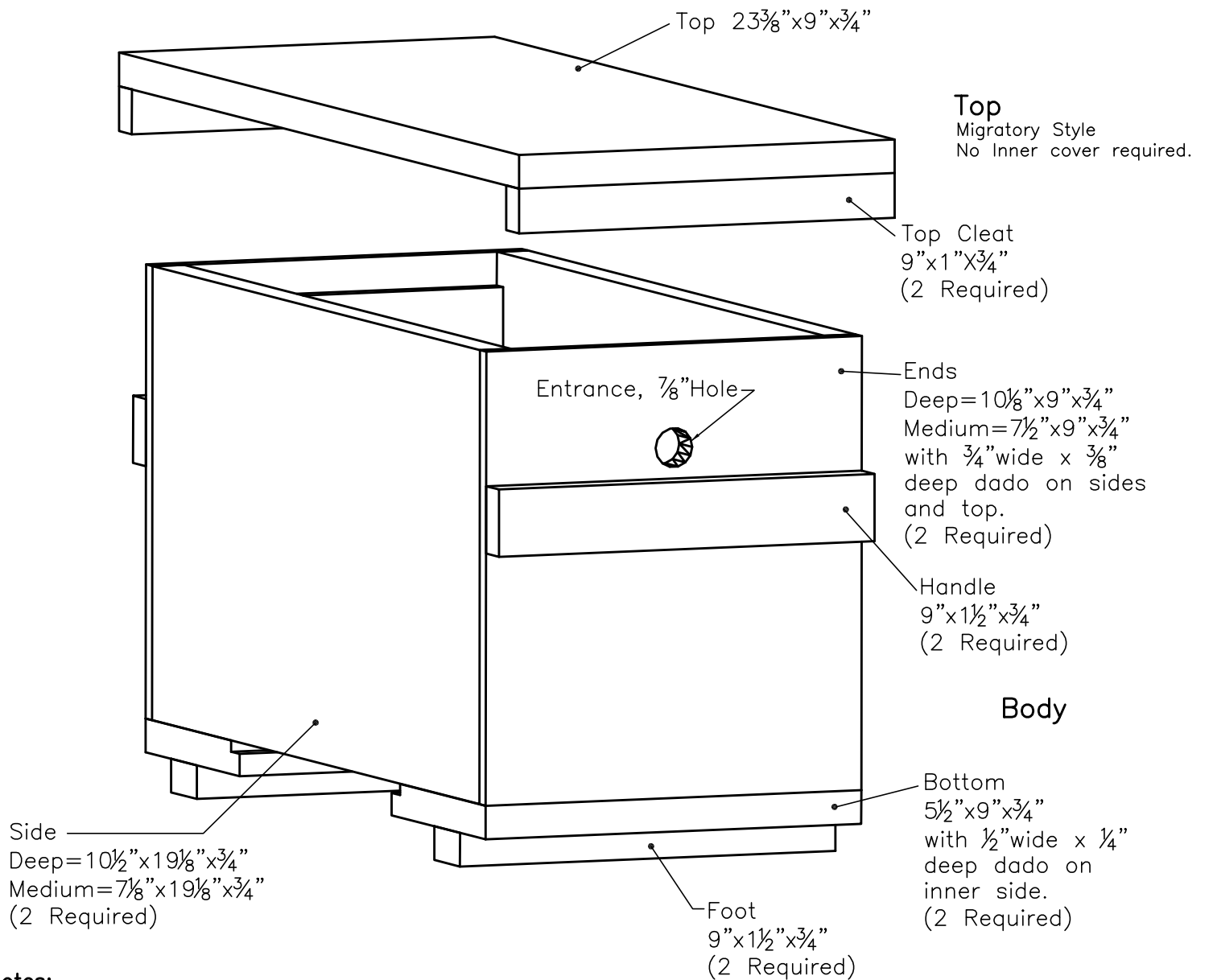


5 Frame Nuc



Notes:

- #8 hardware cloth should be placed over the middle section of the bottom of the hive for ventilation. It is easiest to install if it is stapled on after the front, back and sides are assembled but before the bottom is attached.
- A $9\frac{3}{4}'' \times 9''$ piece of corrugated plastic can be slid in the dados on the bottom pieces to block off the ventilation in cold weather.
- The feet may be made of treated wood or other wood that resists rot to extend the nucs life.
- To enable feeding the nuc, a hole may be cut in the top to fit a quart jar or other suitable feeder. Screen may be placed on the inner side of the hole to prevent the bees from coming out when the feeder is replaced and a square of heavy plastic may be placed over the hole and attached by one screw or nail. This piece of plastic can be moved aside when feeding and moved over the hole for when not feeding.
- When moving the nuc, you need only close off the entrance with duct tape. The bees will have plenty of ventilation from the bottom screen.